

## hl 3/7/10

The Scanhugger HL 3/7/10 is an all-round shredder, capable of shredding all types of woodwaste (solid wood, particleboard, MDF, cardboard, paper) depending on the material to be processed and the desired chip quality, the machine can be mounted with different screen sizes.

Scanhugger HL 3/7/10 er en all-round træknuser, der er velegnet til knusning af alle typer træaffald (massivt træ, spånplade, MDF, pap, papir, kartonageaffald). Afhængig af materialetype og ønsket flisstørrelse kan maskinen monteres med forskellige soldperforeringer til henholdsvis fine/grove flistyper.



Rotor/knife  
Rotor/kniv



screen  
sold

### Technical data / Tekniske data.

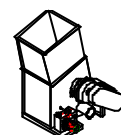
Hopper dimension / Magasinmål		678 x 1007 mm
Hopper volume / Magasinindhold		0,6 cbm
Rotor diameter / Rotor diameter		Ø 240 mm
No.of knives / Knivantal	*	20
No.of counterknives / Antal modstål		2
Rotor speed/ Rotoromdrejninger	**	80 - 100 <sup>-1</sup>
Main motor / Hovedmotor	**	11 - 18.5 kW
Screen perforation / Soldperforering	**	15 - 40 mm
Chip length / Flislængde	**	20 - 40 mm
Capacity / Kapacitet	**	100-300kg/60min
Weight / Vægt		1500 kg
Sound level / Lydtrykniveau L <sub>pa</sub>	***	81 dB

\* Depending on rotor and type of knife

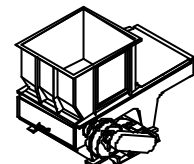
\*\* Depending on motor size, material and screen perforation

\*\*\* In accordance with ISO/DIS 11204, prEN 691

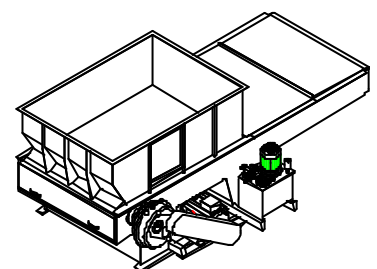
Technical alterations reserved / Ret til tekniske ændringer forbeholdes



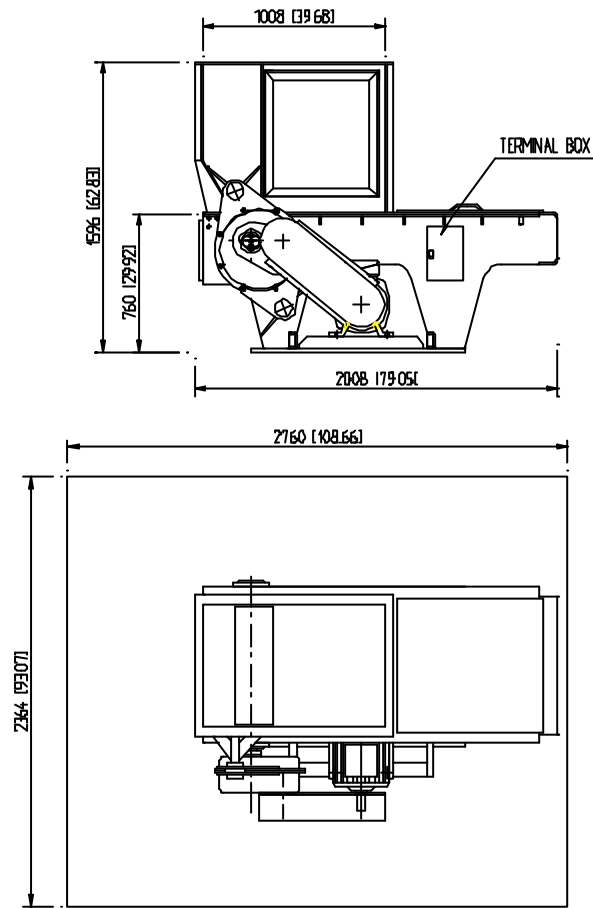
HL 2 SERIE



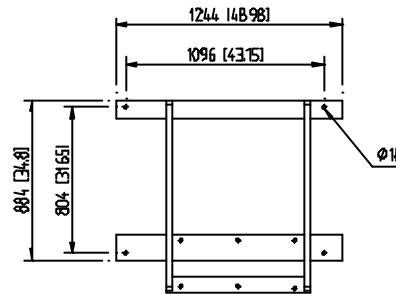
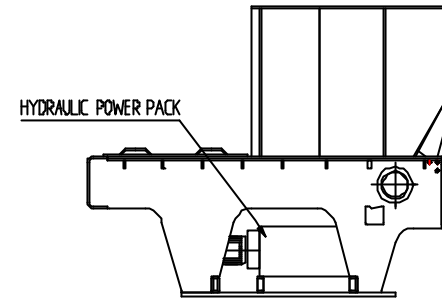
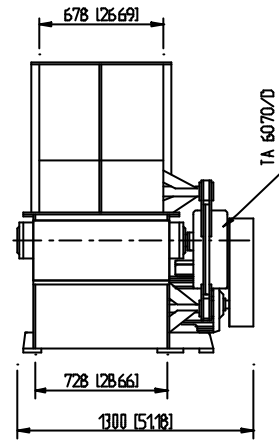
HL 3 SERIE



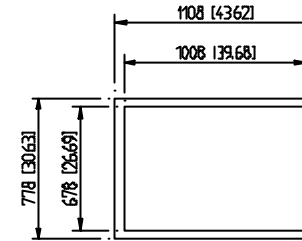
HL 4 SERIE



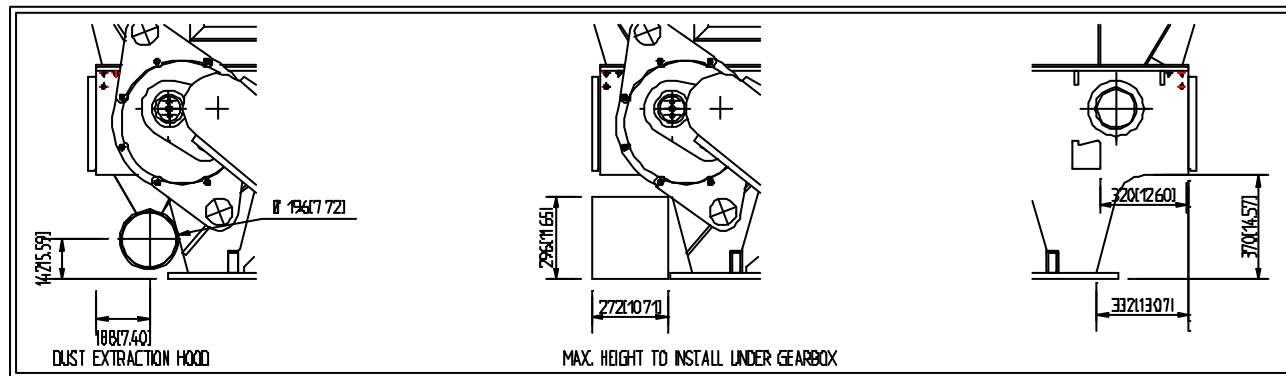
RECOMMENDED INSTALLATION DIMENSIONS



FOOTPRINT



HOPPER TOP FLANGE



STANDARD CONFIGURATION FOR GEAR AND MOTOR MOUNTED ON LEFT SIDE  
 REFER TO MACHINE DESCRIPTION FOR FURTHER INFORMATION  
 DIMENSIONS IN MILLIMETERS

MAIN MOTOR FRAME/HP/VOLTAGE  
 HYDRAULIC POWER PACK HP/VOLTAGE  
 CONTROL VOLTAGE  
 SCREEN HOLE SIZE  
 CHIP DISCHARGE SYSTEM

ALL TECHNICAL ATTENTIONS RESERVED

POC/IT	Mod	Benevento	Formet	Stato	Bonvicino	Erchifer	Erchifer #
Nome	Seg					PL	Libri
						Titolo	
						Note: leggere attente le istruzioni ed il regolamento della gamma Hopper per l'uso corretto. This drawing is not to be copied, printed or to be available to any unauthorized person without our specific permission.	