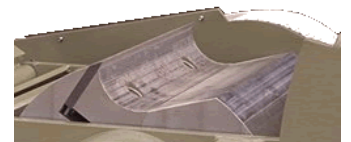
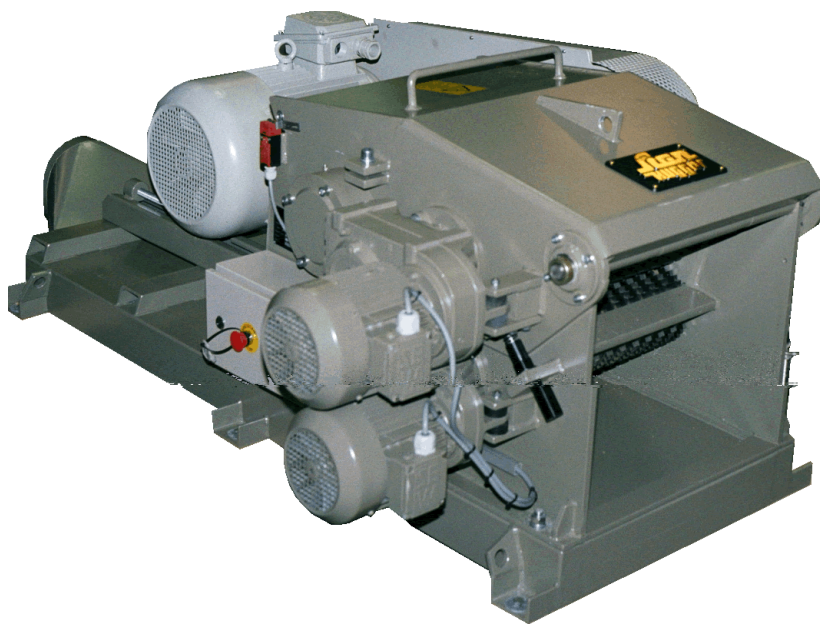


## ht 55/30/2

The Scanhugger HT 55/30/2 horizontal feed chipper is ideally suited for cutting rib edgings, slabs and off-cuts to a precise chip. The chipper can be placed in the factory at the source of waste. Operating in-line with a straight-gang rib saw, it continuously reduces the waste produced and eliminates the handling of slabs and edgings.

Scanhugger HT 55/30/2 tromlehugger er konstrueret til kontinuerlig reduktion af lange fraskær, skaller og kapender til flis. Maskinen monteres med rotor, motor og sold til den ønskede flislængde. Maskinen kan leveres med individuelt tilpasset transportudstyr, vibrorende, båndtransportør og doseringsanlæg.



solid steel rotor with  
knife wedge mounting system  
massiv stålrotor  
montering kniv/knivkile



uniform chip  
chip size 5-25 mm  
ensartet flis  
flislængde 5-25 mm

### Technical data / Tekniske data.

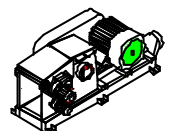
Infeed height/width / Indføringsmål		90 x 530 mm
Rotor diameter / Rotordiameter		Ø 300 mm
No. of knives / Knivantal	*	2
Rotor speed / Rotoromdrejninger	**	900 <sup>-1</sup>
Infeed speed / Indføringshastighed	**	25-30 m / min.
Main motor / Hovedmotor	**	18,5 - 30 kW
Screen perforation / Soldperforering	**	20 -40 mm
Chip length / Flislængde	**	5 - 25 mm
Capacity / Kapacitet	**	400-1500 kg/hr.
Weight / Vægt		1250 kg

\* Depending on rotor and type of knife

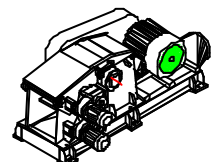
\*\* Depending on motor size, material and screen perforation  
Technical alterations reserved/ Ret til tekniske ændringer forbeholdes



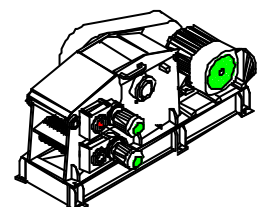
HT 25 SERIE



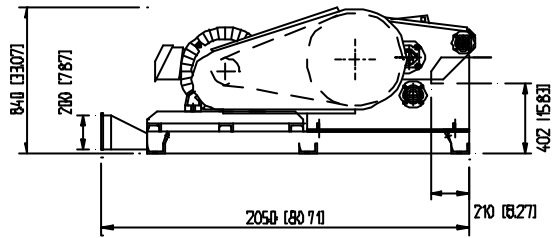
HT 35 SERIE



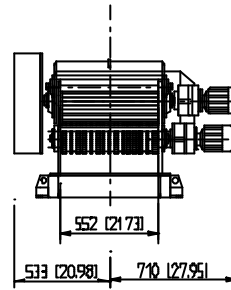
HT 45 SERIE



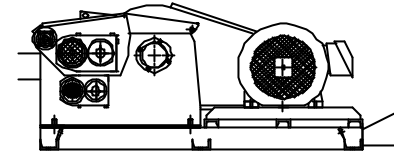
HT 60 SERIE



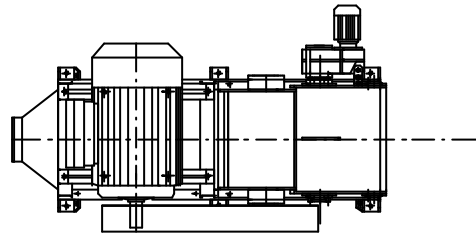
LEFT SIDE VIEW



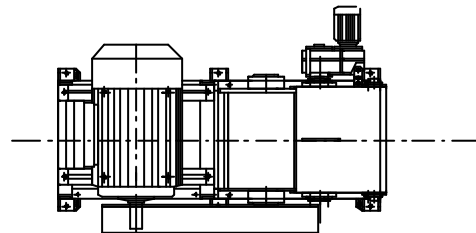
FRONT VIEW



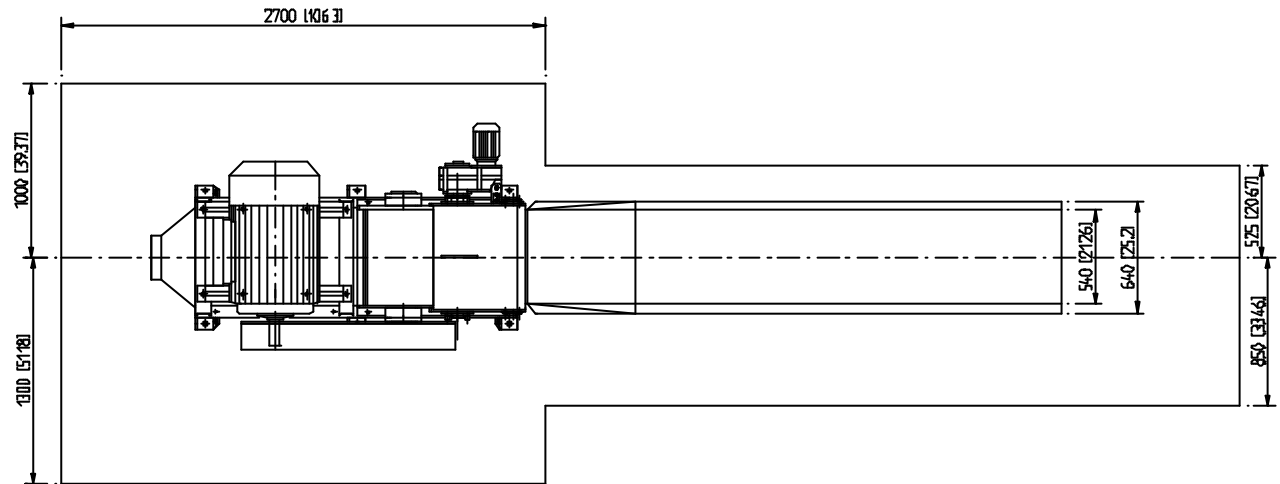
RIGHT SIDE VIEW



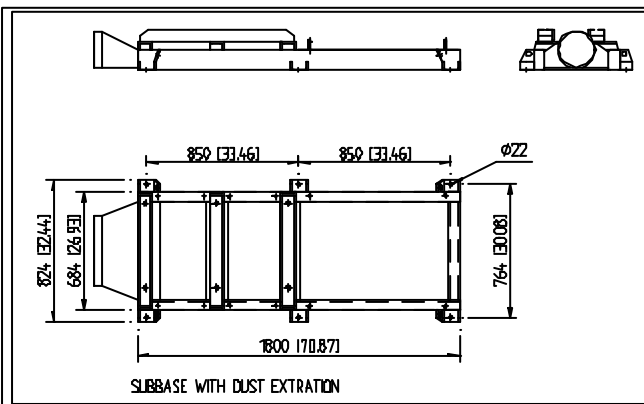
TOP VIEW (SUBBASE WITH DUST EXTRACTION)



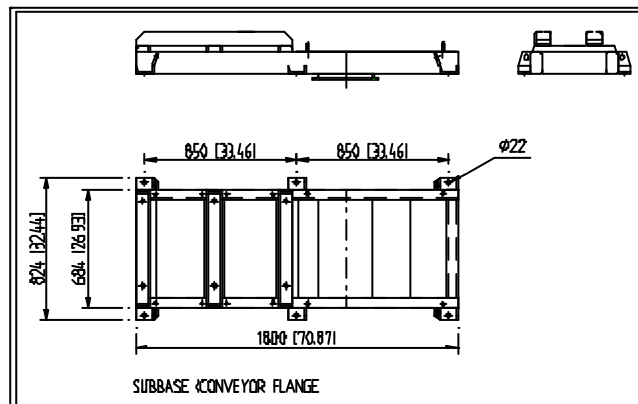
TOP VIEW SUBBASE WITH CONVEYOR FLANGE



RECOMMENDED INSTALLATION MEASURES



SUBBASE WITH DUST EXTRACTION



SUBBASE WITH CONVEYOR FLANGE

STANDARD CONFIGURATION FOR MOTOR MOUNTED ON LEFT SIDE  
 MOTOR MOUNTED ON RIGHT SIDE MIRROR THE MACHINE  
 DIMENSIONS IN MM(INCHES)  
 REFER TO MACHINE DESCRIPTION FOR FURTHER INFORMATION

MAIN MOTOR FRAME SIZE:  
 MAIN MOTOR HP/VOLTAGE:  
 GEARMOTOR 1 TYPE/HP:  
 GEARMOTOR 2 TYPE/HP:  
 SUBBASE:  
 SCREEN SIZE:  
 INFEED CONVEYOR:

Pos. nr. Kmsl	Mtd. Sgr	Benevelce Sgr	Formal	Stela	Eleckenring Ertaler	Eralties of Data
		<b>HEDETRA A/S</b> <small>DK 8250 BRUNSBY            TEL 8724 2122            FAX 8724 2178</small>		<small>Always inspect and check before after of every action while using the machine for inspection.            This drawing is not to be copied, printed or to be available to any unauthorized person without our            specific permission.</small>		