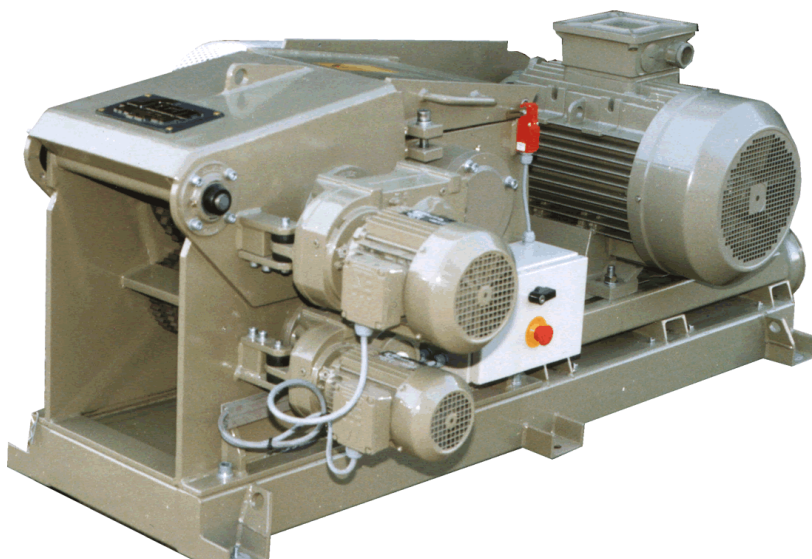


ht 35/30/2

The Scanhugger HT 35/30/2 horizontal feed chipper is ideally suited for cutting rib edgings, slabs and off-cuts to a precise chip. The chipper can be placed in the factory at the source of waste. Operating in-line with a straight- or gang rib saw, it continuously reduces the waste produced and eliminates the handling of slabs and edgings.

Scanhugger HT 35/30/2 tromlehugger er konstrueret til kontinuerlig reduktion af lange fraskær, skaller og kapender til flis. Maskinen monteres med rotor, motor og sold til den ønskede flislængde. Maskinen kan leveres med individuelt tilpasset transportudstyr, vibrende, båndtransportør og doseringsanlæg.



solid steel rotor with
knife wedge mounting system
massiv stålrotor
montering kniv/knivkile



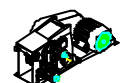
uniform chip
chip size 5-25 mm
ensartet flis
flislængde 5-25 mm

Technical data / Tekniske data.

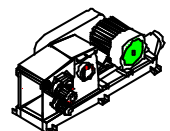
Infeed height/width / Indføringsmål		90 x 330 mm
Rotor diameter / Rotordiameter		Ø 300 mm
No. of knives / Knivantal	*	2
Rotor speed / Rotoromdrejninger	**	900 ⁻¹
Infeed speed / Indføringshastighed	**	25-30 m / min.
Main motor / Hovedmotor	**	18,5 - 30 kW
Screen perforation / Soldperforering	**	20 -40 mm
Chip length / Flislængde	**	5 - 25 mm
Capacity / Kapacitet	**	400-1500 kg/hr.
Weight / Vægt		850 kg

* Depending on rotor and type of knife

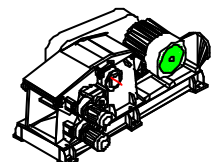
** Depending on motor size, material and screen perforation
Technical alterations reserved/ Ret til tekniske ændringer forbeholdes



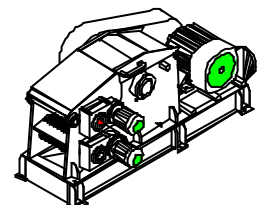
HT 25 SERIE



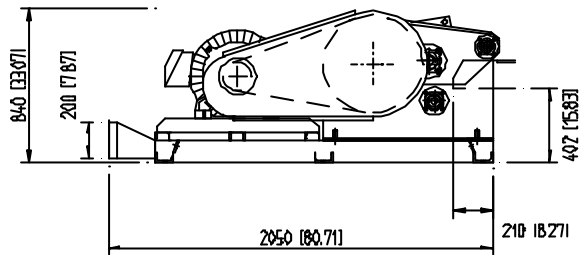
HT 35 SERIE



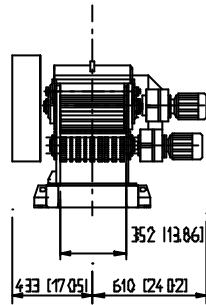
HT 45 SERIE



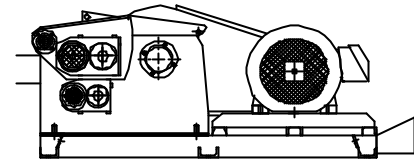
HT 60 SERIE



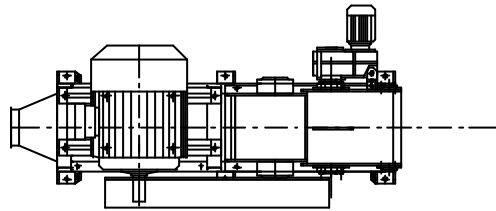
LEFT SIDE VIEW



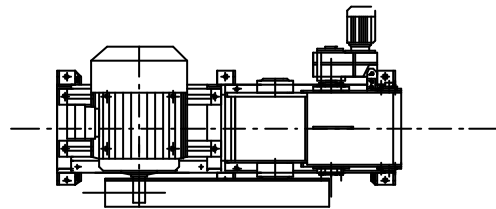
FRONT VIEW



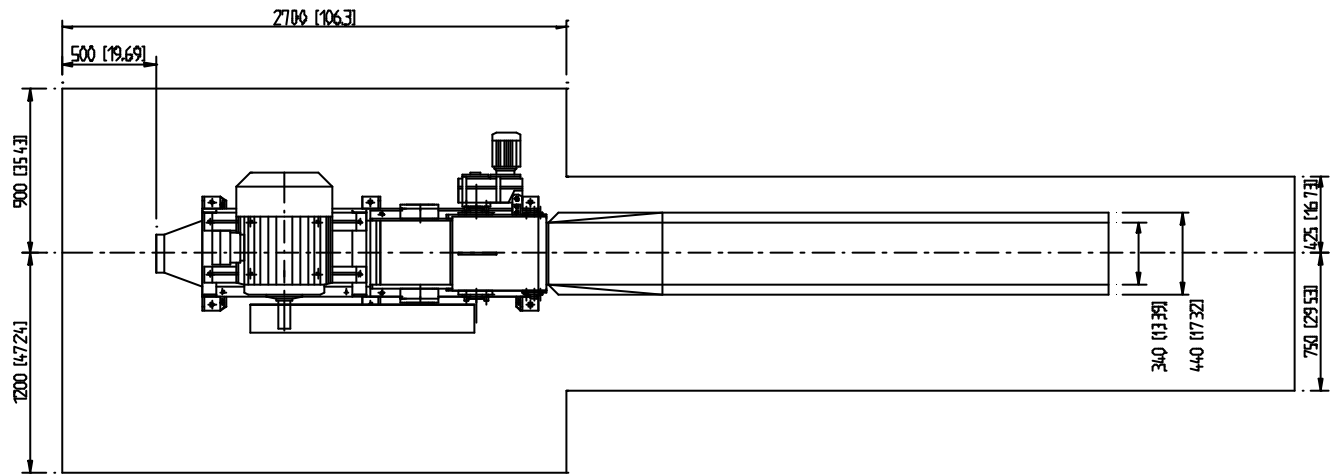
RIGHT SIDE VIEW



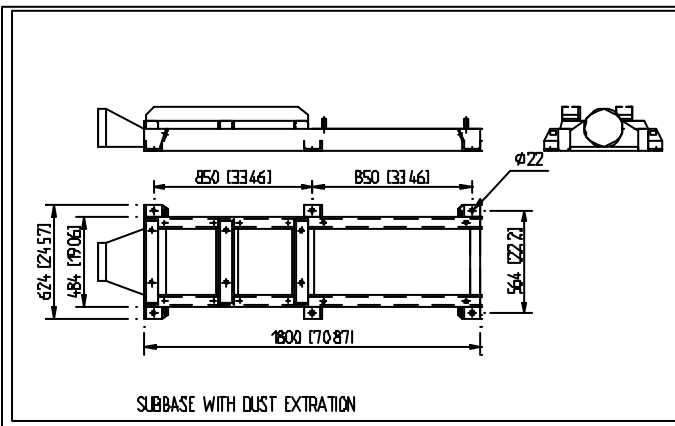
TOP VIEW (SUBBASE WITH DUST EXTRACTION)



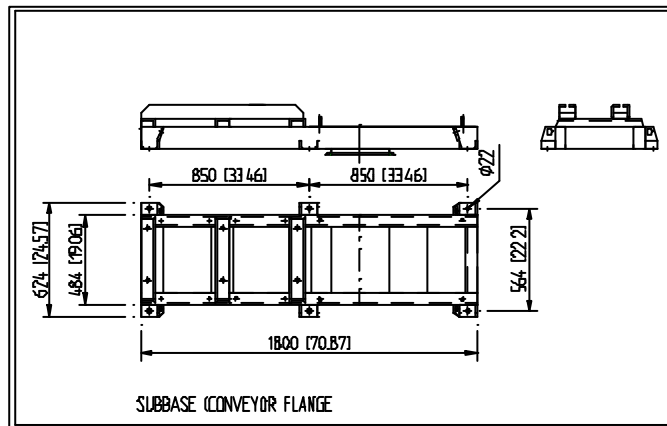
TOP VIEW SUBBASE WITH CONVEYOR FLANGE



RECOMMENDED INSTALLATION MEASURES



SUBBASE WITH DUST EXTRACTION



SUBBASE (CONVEYOR FLANGE)

STANDARD CONFIGURATION FOR MOTOR MOUNTED ON LEFT SIDE
 MOTOR MOUNTED ON RIGHT SIDE MIRROR THE MACHINE
 DIMENSIONS IN MM(INCHES)
 REFER TO MACHINE DESCRIPTION FOR FURTHER INFORMATION

ALL DIMENSIONS ARE DIMENSIONS EXCEPTED

MAIN MOTOR FRAME SIZE
 MAIN MOTOR HP/VOLTAGE
 GEARMOTOR 1 TYPE/HP
 GEARMOTOR 2 TYPE/HP
 SUBBASE
 SCREEN SIZE
 INFEED CONVEYOR

Pos/Nr	Mgd	Benevento	Format	Stato	Banimento	Erst/Verst
Kart	Sign				HL	Udb
					Taggermeister	
					<small> Keine Haftung auf die Richtigkeit aller Angaben und nicht gesondert für Irrtümer. This drawing is not to be copied, printed or to be available to any unauthorized person without our specific permission. </small>	