

## ht 20/25/2

The Scanhugger HT 25/20/2 horizontal feed chipper is ideally suited for cutting rib edgings and off-cuts to a precise chip. The chipper can be placed in the factory at the source of waste. Operating in-line with a straight- or gang rib saw, it continuously reduces the waste produced and eliminates the handling of slabs and edgings.

Scanhugger HT 25/20/2 tromlehugger er konstrueret til kontinuerlig reduktion af lange fraskær og kapender til flis. Maskinen monteres med rotor, motor og sold til en 10mm flis. Maskinen leveres med Ø 150 mm sugestuds.



solid steel rotor with  
knife wedge mounting system  
*massiv stålrotor  
montering kniv/knivkile*



uniform chip  
chip size 10 mm  
*ensartet flis  
flislænede 10 mm*

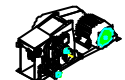
### Technical data / Tekniske data.

Infeed height/width / <i>Indføringsmål</i>		60 x 200 mm
Rotor diameter / <i>Rotordiameter</i>		Ø 250 mm
No. of knives / <i>Knivantal</i>	*	2
Rotor speed/ <i>Rotoromdrejninger</i>	**	1100 <sup>-1</sup>
Infeed speed / <i>Indføringshastighed</i>	**	16 m / min.
Main motor / <i>Hovedmotor</i>	**	15 - 18,5 kW
Screen perforation / <i>Soldperforering</i>	**	25 mm
Chip length / <i>Flislængde</i>	**	10 mm
Capacity / <i>Kapacitet</i>	**	300-500 kg/hr.
Weight / <i>Vægt</i>		400 kg

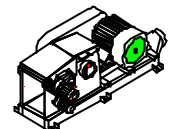
\* Depending on rotor and type of knife

\*\* Depending on motor size, material and screen perforation

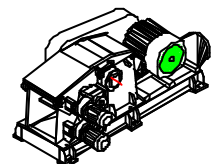
Technical alterations reserved/ *Ret til tekniske ændringer forbeholdes*



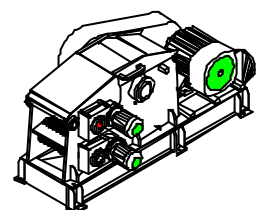
HT 25 SERIE



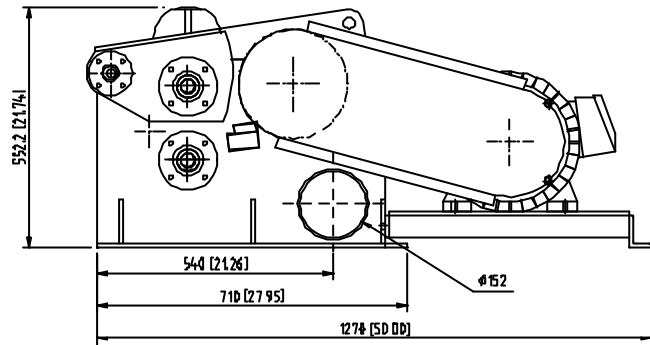
HT 35 SERIE



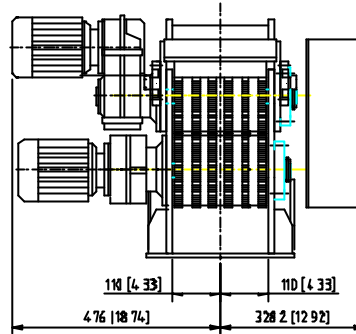
HT 45 SERIE



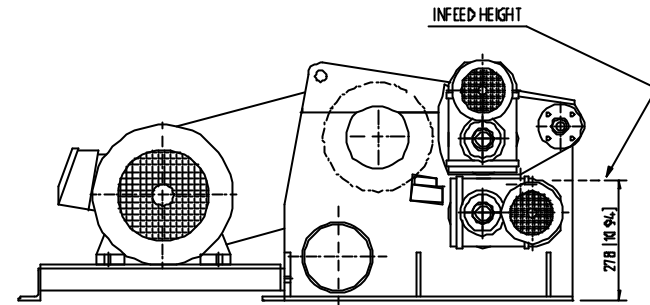
HT 60 SERIE



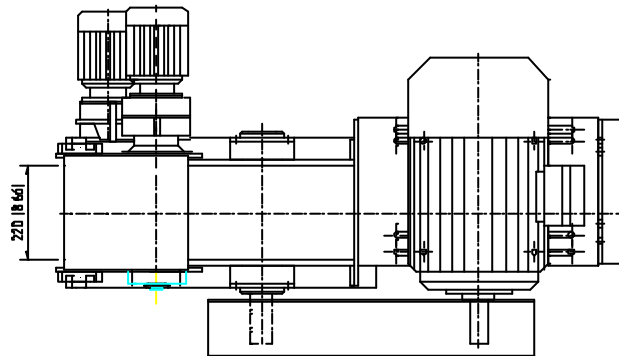
RIGHT SIDE VIEW



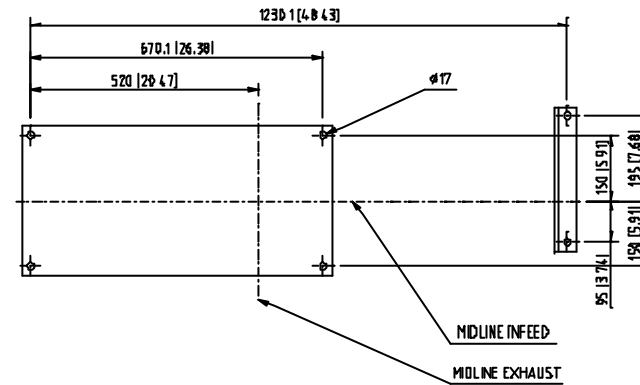
FRONT VIEW



LEFT SIDE VIEW



TOP VIEW




FOOTPRINT

STANDARD CONFIGURATION FOR HT 20/25/2  
 INFEED GEARMOTORS MOUNTED ON LEFT MACHINE SIDE  
 MAIN MOTOR MOUNTED ON RIGHT MACHINE SIDE  
 DRAWING SHOWS 2561-20HP MAIN MOTOR  
 DUST EXTRACTION MOUNTED ON LEFT/RIGHT SIDE OF MACHINE  
 MACHINE PREPARED FOR BAND- OR VIBRATING CONVEYOR

TECHNICAL ALTERATIONS RESERVED

PREPARED FOR.

MAIN MOTOR  
 GEARED MOTORS.  
 CONVEYOR.  
 DUST EXTRACTION

Form	Mtd	Beskrivelse	Form	Stad	Datering
Kont		Sig			Erstatning
					Erstatning
					Erstatning
<small>Alle rettigheter og alle forbehold etter alle regulerende lover og forskrifter for brukerne.          Dette tegning er rett for å kopiere, printe ut, for å bli available to any computerized process without our specific permission.</small>					