

hl 4/14/20

Scanhugger HL 4/14/20 is an all-round shredder, capable of shredding all types of woodwaste (solid wood, particleboard, MDF, pallets, cardboard, paper, demolition waste wood) depending on the material to be processed and the desired chip quality, the machine can be mounted with 2 different rotor types and various screen sizes.

Scanhugger HL 4/14/20 er en all-round træknuser, der er velegnet til knusning af alle typer træaffald (massivt træ, spånplade, MDF, paller, pap, papir, kartonageaffald). Afhængig af materialetype og ønsket flisstørrelse kan maskinen monteres med 2 rotortyper til henholdsvis fine/grove flistyper.



Rotor/knife
Rotor/kniv



screen
sold

Technical data / Tekniske data.

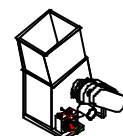
| | | |
|---|-----|------------------------|
| Hopper dimension / Magasinmål | | 1358 x 2025 mm |
| Hopper volume / Magasinindhold | | 2,2 cbm |
| Rotor diameter / Rotor diameter | | Ø 370 mm |
| No.of knives / Knivantal | * | 40 / 27 |
| No.of counterknives / Antal modstål | | 3 |
| Rotor speed/ Rotoromdrejninger | ** | 80 - 100 ⁻¹ |
| Main motor / Hovedmotor | ** | 22 - 75 kW |
| Screen perforation / Soldperforering | ** | 15 - 70 mm |
| Chip length / Flislængde | ** | 20 - 200 mm |
| Capacity / Kapacitet | ** | 400-2000kg/60min |
| Weight / Vægt | | 5600 kg |
| Sound level / Lydtrykniveau L _{pa} | *** | 86,5 dB |

* Depending on rotor and type of knife

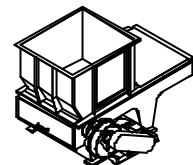
** Depending on motor size, material and screen perforation

*** In accordance with ISO/DIS 11204, prEN 691

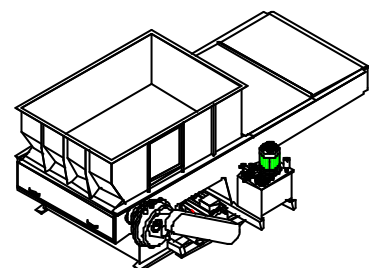
Technical alterations reserved / Ret til tekniske ændringer forbeholdes



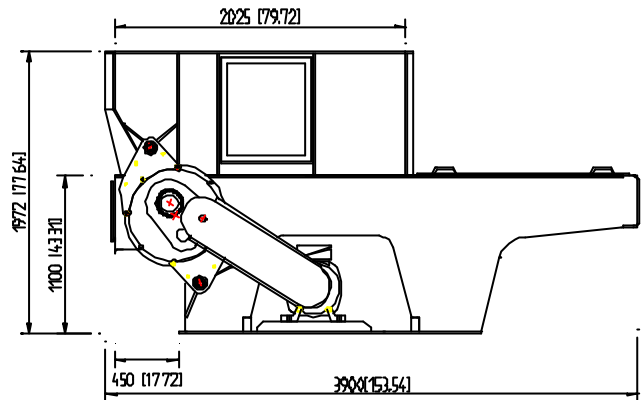
HL 2 SERIE



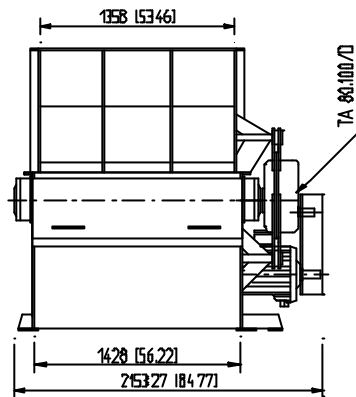
HL 3 SERIE



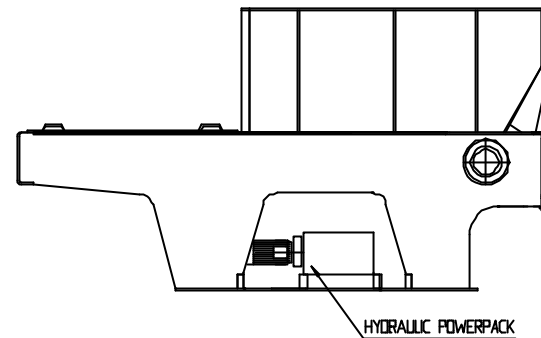
HL 4 SERIE



LEFT SIDE VIEW

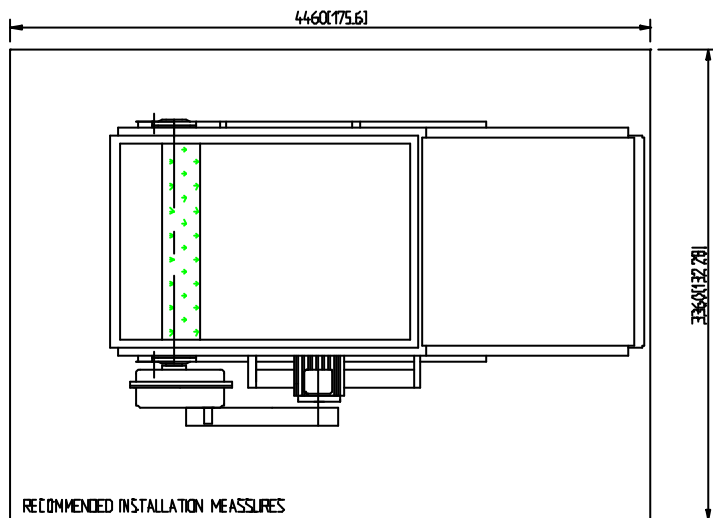


FRONT VIEW

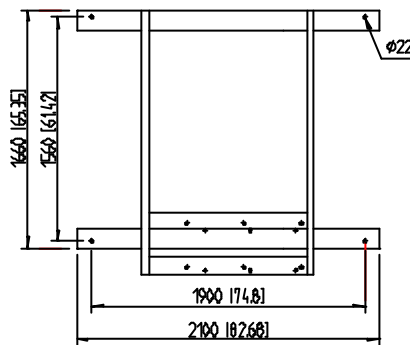


RIGHT SIDE VIEW

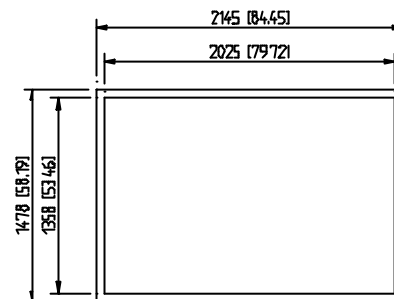
HYDRAULIC POWERPACK



RECOMMENDED INSTALLATION MEASURES

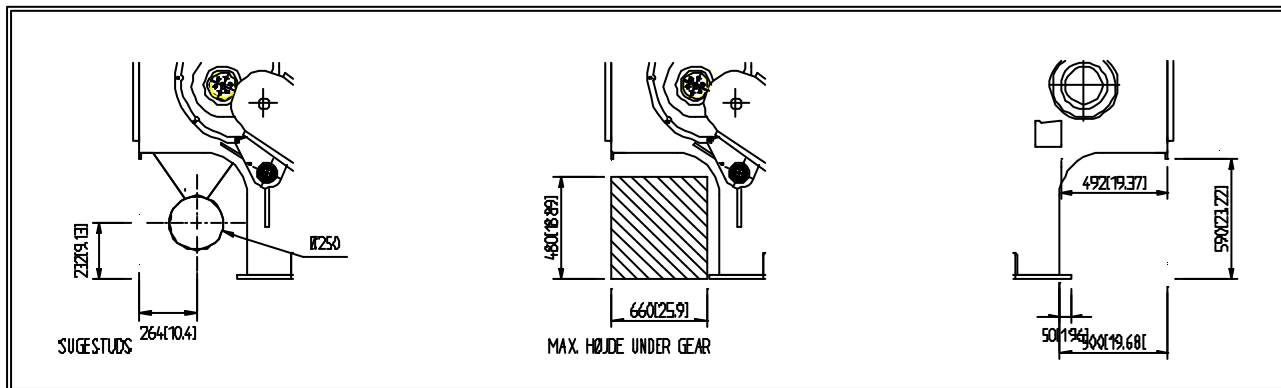


FOOTPRINT
FODMÅL



HOPPER TOP FLANGE
FLANGE MAGASIN TOP

ANBEFALEDE MIN MÅL FOR MONTERING



STANDARD CONFIGURATION WITH MOTOR AND GEARBOX MOUNTED ON LEFT SIDE
ALL MEASURES IN MM(INCH)

MAIN MOTOR FRAME SIZE,
VOLTAGE/FREQUENCY
SCREEN PERFORMANCE
CHIP CONVEYING SYSTEM

ALL DIMENSIONS ARE APPROXIMATE

| Posnr | Mgd | Benevnelse | Formel | Skala | Bemærkning | |
|-------|------|------------|--------|-------|--|----------------|
| Navn | Sign | | | | Erstatning | Erstatnings nr |
| | | | | | RI | Dato |
| | | | | | Tegningnummer | |
| | | | | | Denne tegning vil ikke bruges efter jern HEDSTRØ A/S uden tilladelse fra HEDSTRØ A/S. | |
| | | | | | This drawing is not to be copied, printed or to be available to any unauthorized person without our specific permission. | |