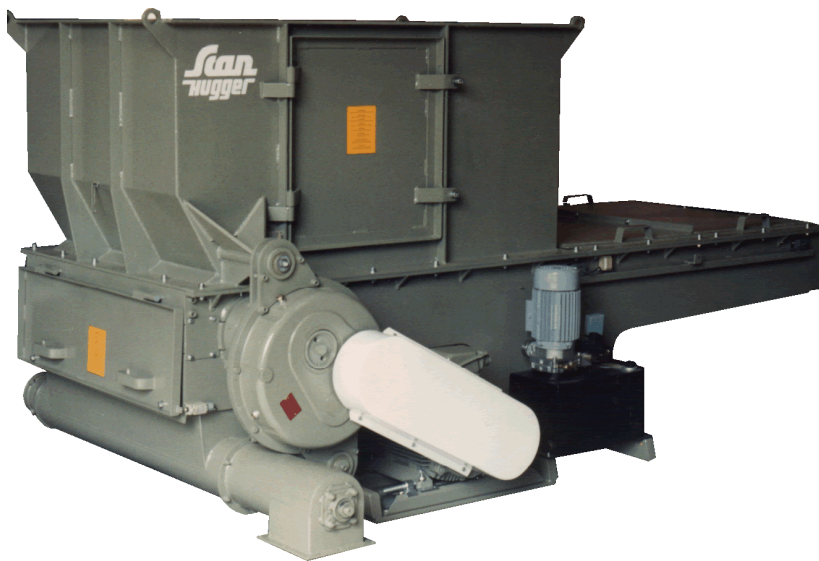


hl 3/10/16

The Scanhugger HL 3/10/16 is an all-round shredder, capable of shredding all types of woodwaste (solid wood, particleboard, MDF, pallets, cardboard, paper) depending on the material to be processed and the desired chip quality, the machine can be mounted with different screen sizes.

Scanhugger HL 3/10/16 er en all-round træknuser, der er velegnet til knusning af alle typer træaffald (massivt træ, spånplade, MDF, paller, pap, papir, kartonageaffald). Afhængig af materialetype og ønsket flisstørrelse kan maskinen monteres med forskellige soldperforeringer til henholdsvis fine/grove flistyper.



Rotor/knife
Rotor/kniv



screen
sold

Technical data / Tekniske data.

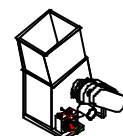
Hopper dimension / Magasinmål		1028 x 1607 mm
Hopper volume / Magasinindhold		1,6 cbm
Rotor diameter / Rotor diameter		Ø 240 mm
No.of knives / Knivantal	*	30
No.of counterknives / Antal modstål		2
Rotor speed/ Rotoromdrejninger	**	80 - 100 ⁻¹
Main motor / Hovedmotor	**	15 - 22 kW
Screen perforation / Soldperforering	**	15 - 40 mm
Chip length / Flislængde	**	20 - 40 mm
Capacity / Kapacitet	**	150-350kg/60min
Weight / Vægt		2900 kg
Sound level / Lydtrykniveau L _{pa}	***	81 dB

* Depending on rotor and type of knife

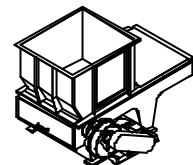
** Depending on motor size, material and screen perforation

*** In accordance with ISO/DIS 11204, prEN 691

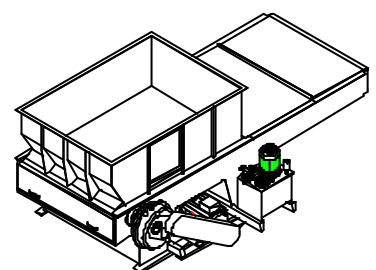
Technical alterations reserved / Ret til tekniske ændringer forbeholdes



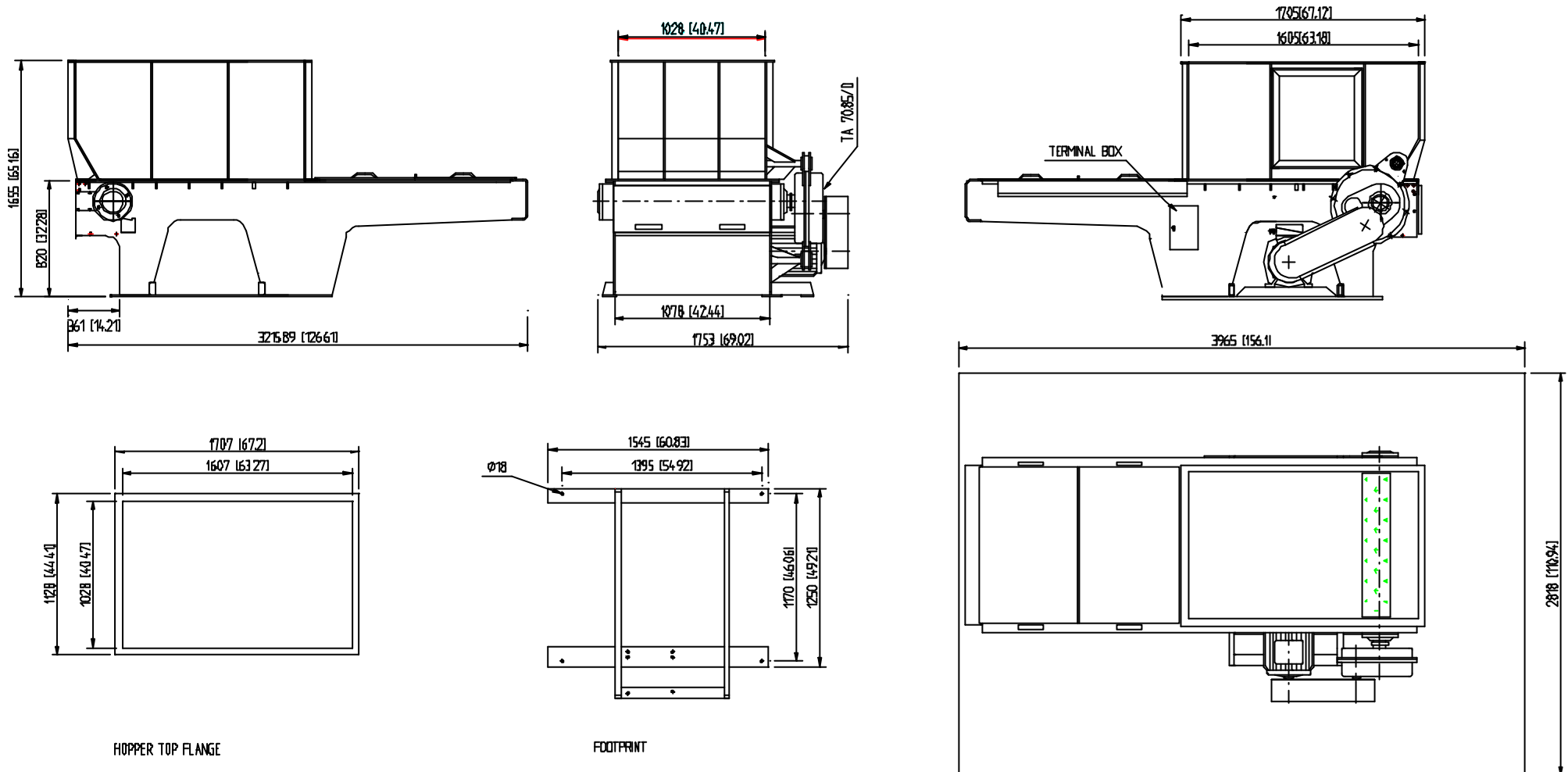
HL 2 SERIE



HL 3 SERIE



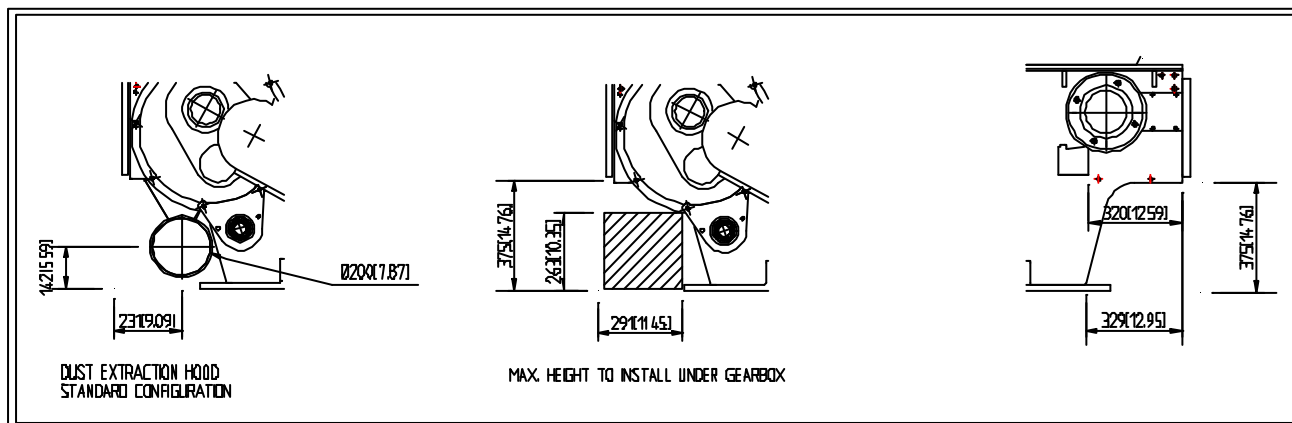
HL 4 SERIE



HOPPER TOP FLANGE

FOOTPRINT

RECOMMENDED INSTALLATION DIMENSIONS



DUST EXTRACTION HOOD
STANDARD CONFIGURATION

MAX. HEIGHT TO INSTALL UNDER GEARBOX

STANDARD CONFIGURATION FOR GEAR AND MOTOR MOUNTED ON LEFT SIDE
DIMENSIONS IN MM (INCHES)
REFER TO MACHINE DESCRIPTION FOR FURTHER INFORMATION

MAIN MOTOR FRAME/HP/VOLTAGE
HYDRAULIC POWER PACK HP/VOLTAGE
CONTROL VOLTAGE
SCREEN HOLE SIZE
CHIP DISCHARGE SYSTEM

ALL DIMENSIONS APPROXIMATE

Pos. No.	Mod.	Revisiões	Formato	Estado	Bombardeamento	
Reviz.	Sign.				Elaborado por	Validado por
					Titulo H Data Tag/numero	
					HBBBTR.8 A/S 888 888 888 888 888 888	

Este documento é propriedade da Scop Hopper e não pode ser reproduzido sem a autorização da Scop Hopper. Todos os direitos reservados.