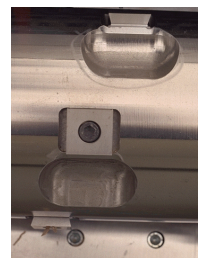


hl 3/10/12

The Scanhugger HL 3/10/12 is an all-round shredder, capable of shredding all types of woodwaste (solid wood, particleboard, MDF, pallets, cardboard, paper) depending on the material to be processed and the desired chip quality, the machine can be mounted with different screen sizes.

Scanhugger HL 3/10/12 er en all-round træknuser, der er velegnet til knusning af alle typer træaffald (massivt træ, spånplade, MDF, paller, pap, papir, kartonageaffald). Afhængig af materialetype og ønsket flisstørrelse kan maskinen monteres med forskellige soldperforeringer til henholdsvis fine/grove flistyper.



Rotor/knife
Rotor/kniv



screen
sold

Technical data / Tekniske data.

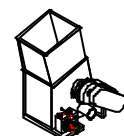
Hopper dimension / Magasinmål		1028 x 1207 mm
Hopper volume / Magasinindhold		1,1 cbm
Rotor diameter / Rotor diameter		Ø 240 mm
No.of knives / Knivantal	*	30
No.of counterknives / Antal modstål		2
Rotor speed/ Rotoromdrejninger	**	80 - 100 ⁻¹
Main motor / Hovedmotor	**	15 - 22 kW
Screen perforation / Soldperforering	**	15 - 40 mm
Chip length / Flislængde	**	20 - 40 mm
Capacity / Kapacitet	**	150-350kg/60min
Weight / Vægt		2200 kg
Sound level / Lydtrykniveau L _{pa}	***	81 dB

* Depending on rotor and type of knife

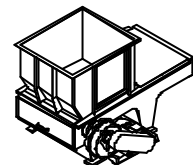
** Depending on motor size, material and screen perforation

*** In accordance with ISO/DIS 11204, prEN 691

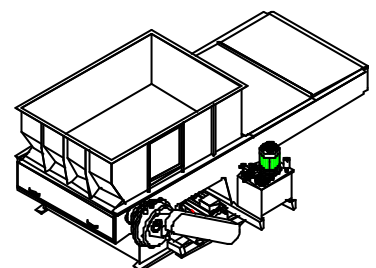
Technical alterations reserved / Ret til tekniske ændringer forbeholdes



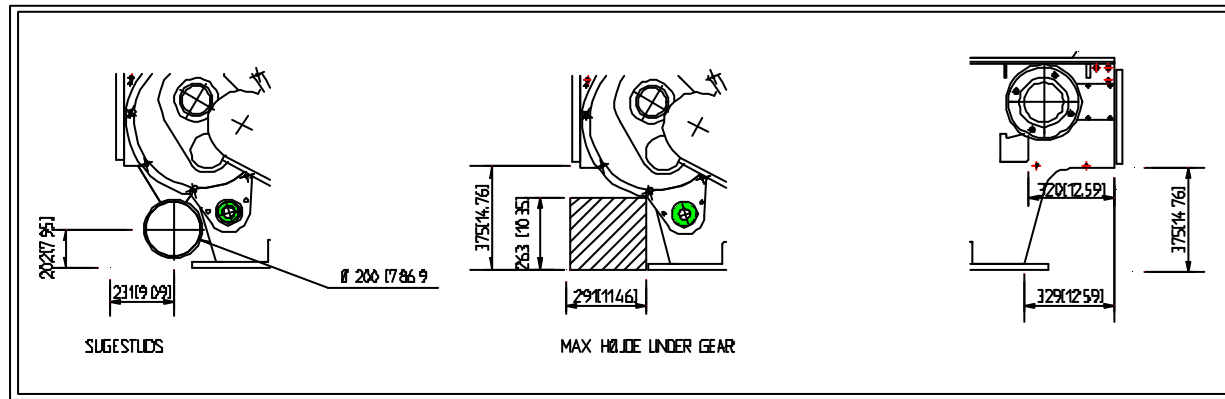
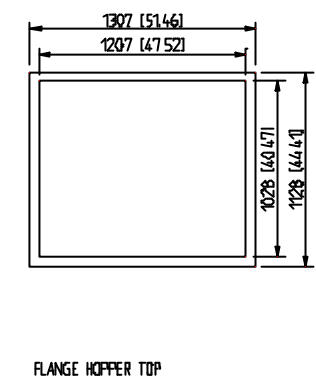
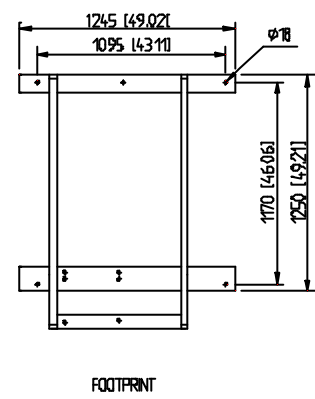
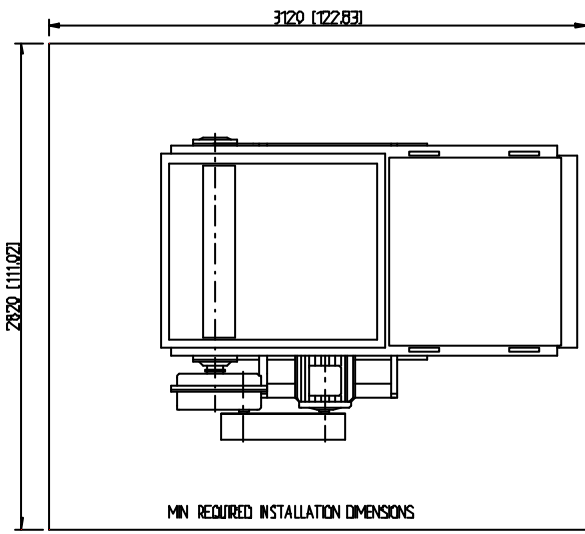
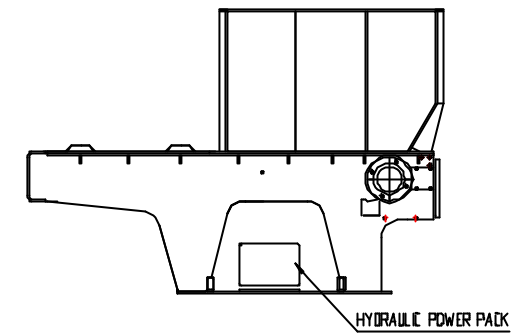
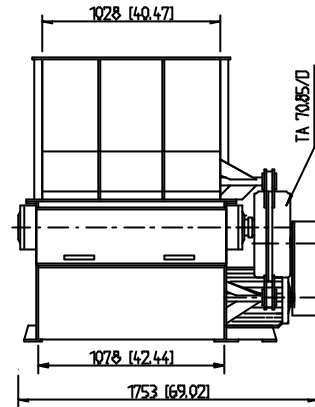
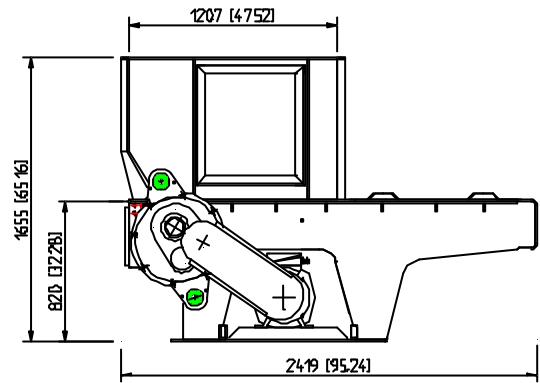
HL 2 SERIE



HL 3 SERIE



HL 4 SERIE



GEARBOX AND TRANSMISSION MOUNTED ON LEFT MACHINE SIDE

ALL MEASURES IN MM (INCH)

MAIN MOTOR FRAME SIZE:
 VOLTAGE/FREQUENCY:
 CONTROL VOLTAGE:
 SCREEN HOLE SIZE:
 CHIP TRANSPORT SYSTEM.

ALL TECHNICAL ALTERATIONS RESERVED

Posnr Kode	Mål	Benevnelse	Formel	Side	Bemærkning	Erstatnings Ertal	Erstatnings af Dato
					Tegnenummer		
HEDSTRÆ A/S <small>DK 5000 HEDSTRÆ TEL 9786 8222 FAX 9786 8122</small>					<small>change layout and file explore after på nogen anden måde (især for tryk)!</small> <small>This drawing is not to be copied, printed or to be available to any unauthorized person without our specific permission</small>		